



**TRINITY GLASS**  
INTERNATIONAL

33615 1st Way S, Federal Way, WA 98003

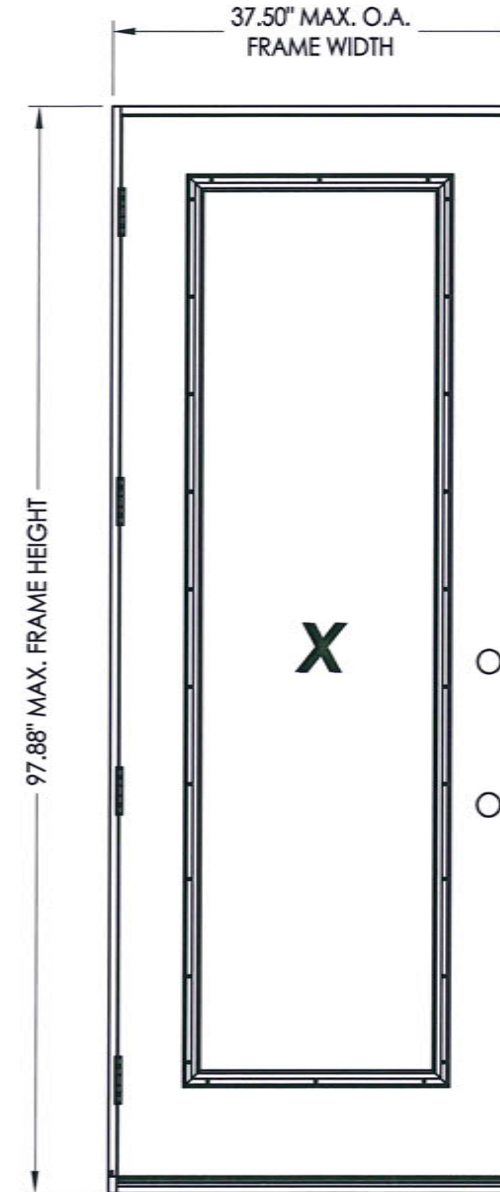
## GLAZED FIBERGLASS "NON-IMPACT" DOOR INSWING / OUTSWING

### GENERAL NOTES

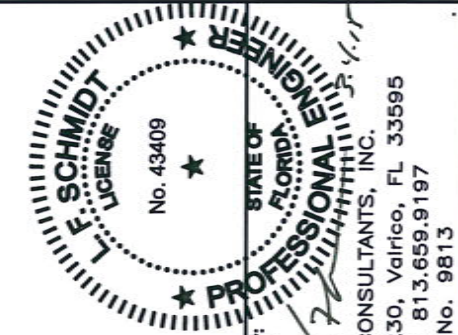
1. This product has been evaluated and is in compliance with the 5th Edition (2014) Florida Building Code (FBC) structural requirements excluding the "High Velocity Hurricane Zone" (HVHZ).
2. Product anchors shall be as listed and spaced as shown on details. Anchor embedment to base material shall be beyond wall dressing or stucco.
3. When used in areas requiring wind borne debris protection this product is required to be protected with an impact resistant covering that complies with Section 1609.1.2 of the FBC.
4. For 2x stud framing construction, anchoring of these units shall be the same as that shown for 2x buck masonry construction.
5. Site conditions that deviate from the details of this drawing require further engineering analysis by a licensed engineer or registered architect.

**TABLE OF CONTENTS**

SHEET#	DESCRIPTION
1	Typical elevations, design pressures & general notes
2	Door panel details
3	Horizontal cross section
4	Vertical cross sections
5	Buck and frame anchoring - 2X buck masonry construction
6	Frame anchoring - 1X buck masonry construction
7	Components
8	Bill of materials



SWING	MAX. FRAME DIMENSION	OVERALL D.L.O. DIMENSION	DESIGN PRESSURE (PSF)	
			POSITIVE	NEGATIVE
INSWING	37.50" x 97.88"	21.0" x 78.87"	+50.0	-55.0
OUTSWING	37.50" x 96.75"	21.0" x 78.87"	+50.0	-50.0



Documents Prepared By:  
Lyndon F. Schmidt  
P.E. No. 43409

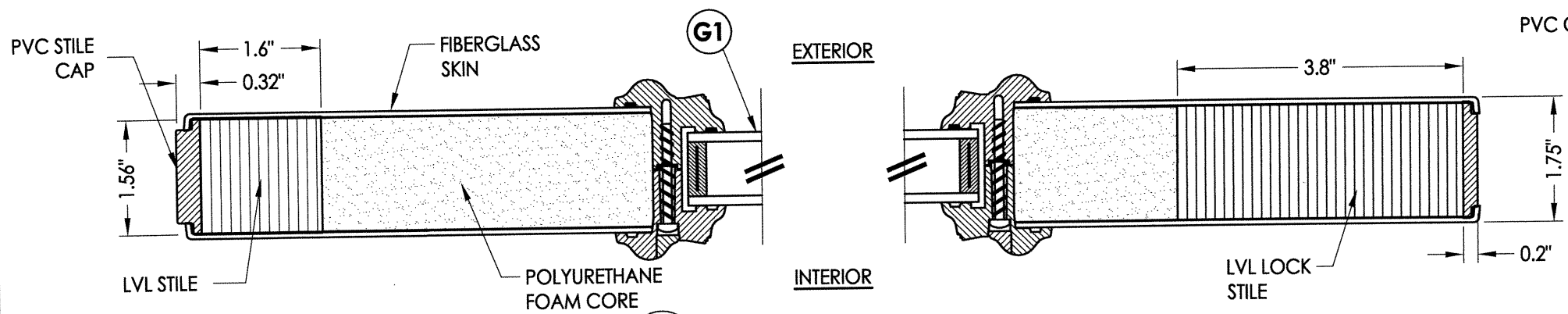
**R.W.** BUILDING CONSULTANTS, INC.  
P.O. Box 230, Valrico, FL 33595  
Phone No.: 813.659.9197  
FBPE C.A. No. 9813

PRODUCT: TRINITY GLASS INT'L  
PART OR ASSEMBLY: TYPICAL ELEVATION, DESIGN PRESSURES & GENERAL NOTES

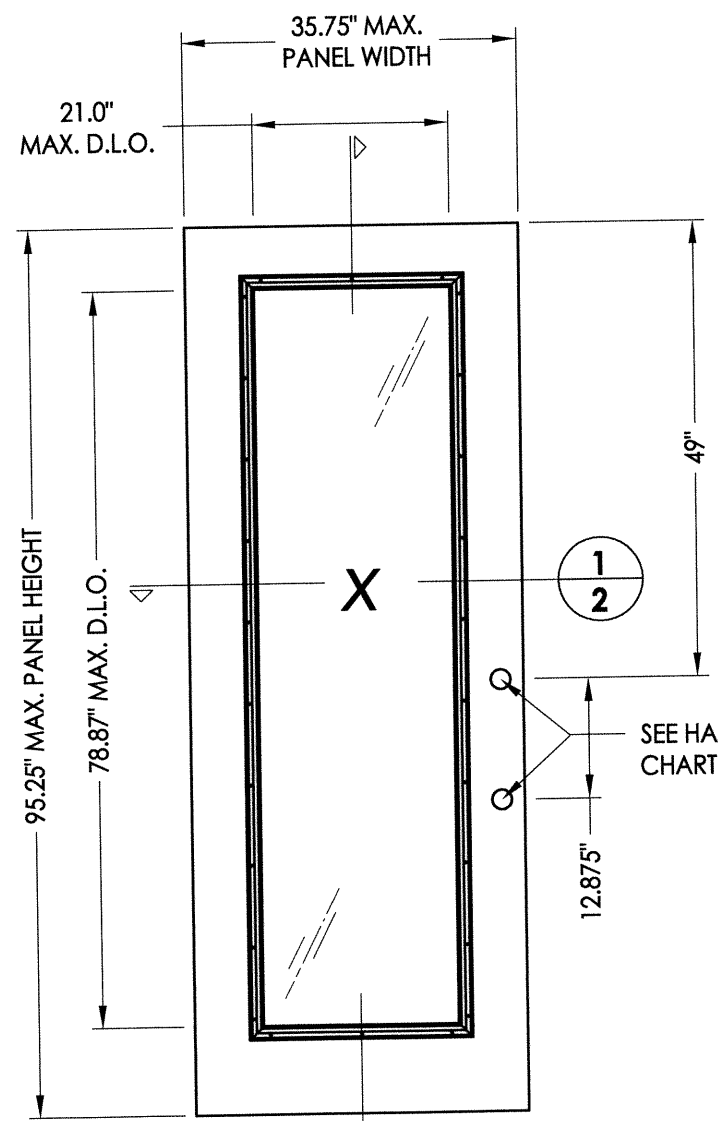
NO.	DATE	REVISIONS
1	03/02/15	UPDATE TO 5TH ED. (2014) FBC

DATE: 1/18/12  
SCALE: N.T.S.  
DWG. BY: JK  
CHK. BY: LFS  
DRAWING NO.: FL-15129.17  
SHEET 1 OF 8

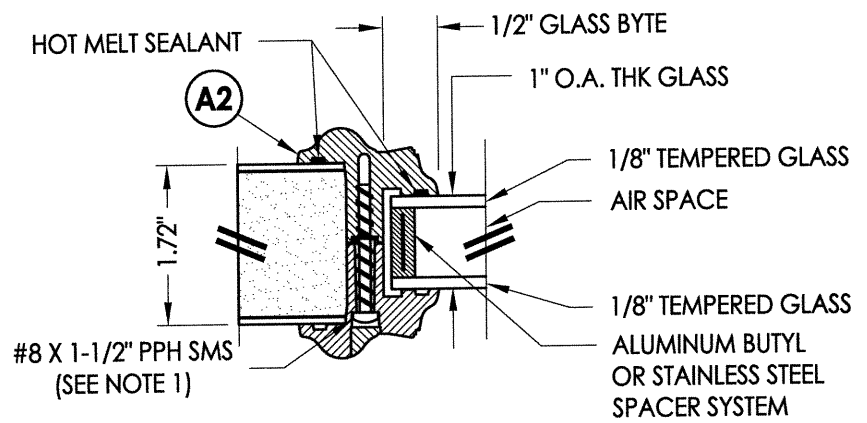
R:\Clients\Trinity PERMANENT\Florida Product Approvals\FL-15129\Drawings\Current\FL-15129.13-20.dwg, 2.17



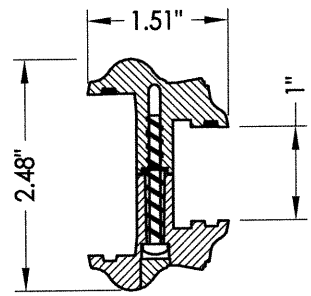
**1**  
**2** **HORIZONTAL CROSS SECTION**



**40** **LIPLITE FIBERGLASS DOOR**



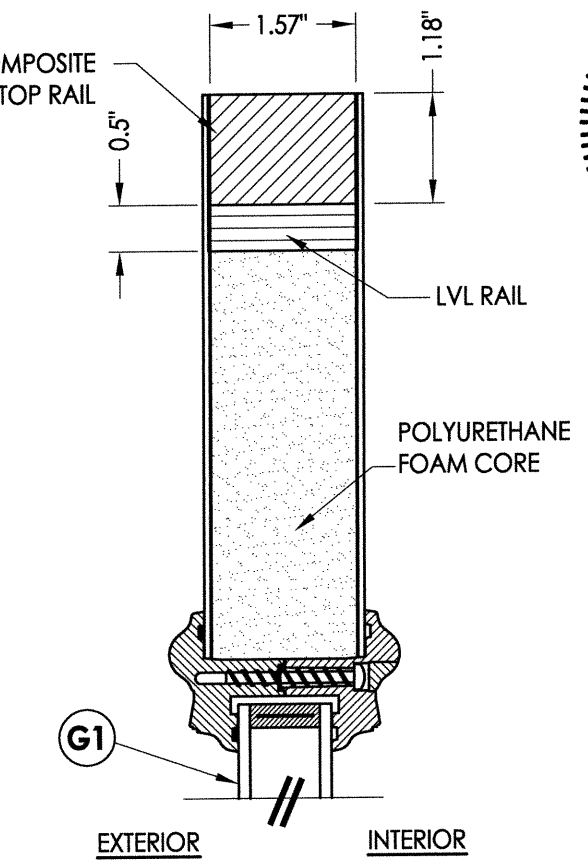
**G1** **GLAZING DETAIL**  
Lip Lite Frame



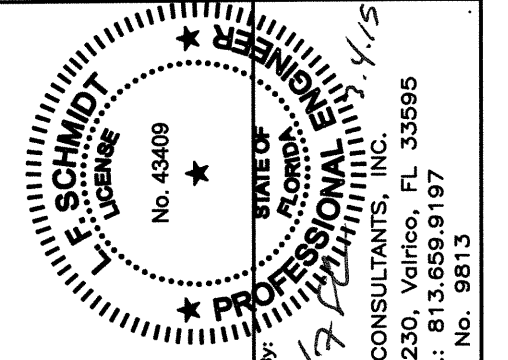
**A2** **LIP LITE FRAME**  
ABS or PC/ASA

HARDWARE CHART	
MANUFACTURER	MODEL
KWIKSET	<b>KNOB: SIGNATURE SERIES</b> <b>DEADBOLT: SIGNATURE SERIES (980)</b>

NOTE:  
 1. Spacing for lite frame screw is as follows:  
 Top and Bottom: 2" from each corner & at centerline (3 total)  
 Sides: 2" from each corner and equally spaced thereafter (10 total)



**2**  
**2** **VERTICAL CROSS SECTION**



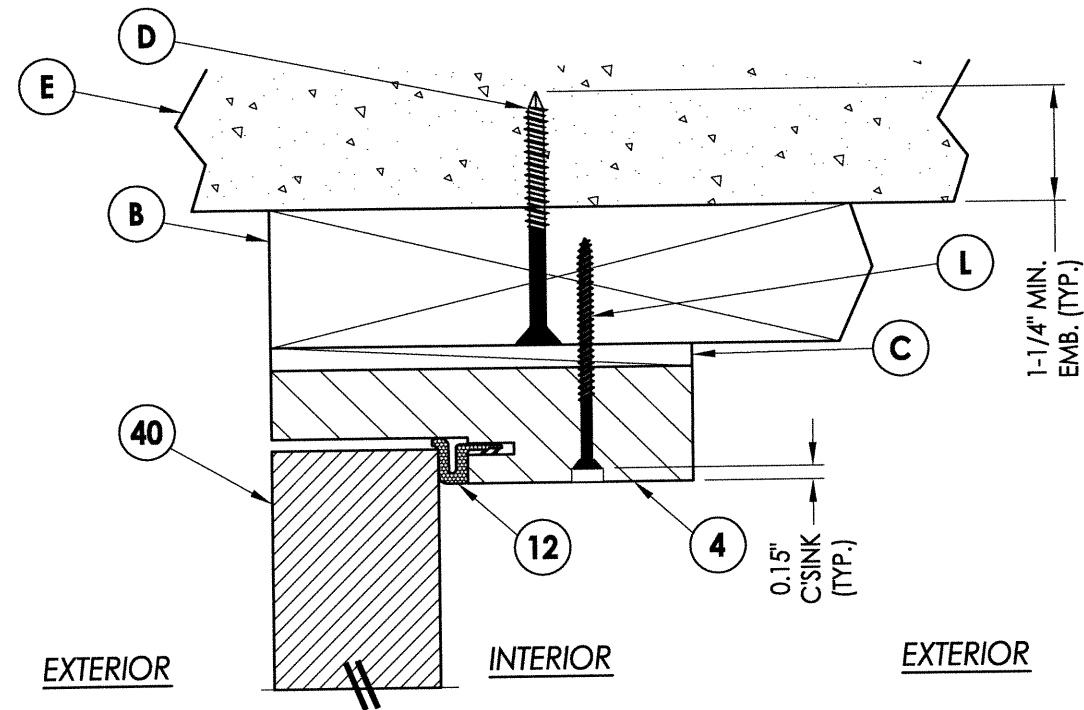
Documents Prepared By:  
 Lyndon F. Schmidt  
 P.E. No. 43409  
 R.W. BUILDING CONSULTANTS, INC.  
 P.O. Box 230, Valrico, FL 33595  
 Phone No.: 813.659.9197  
 FBPE C.A. No. 9813

PRODUCT: TRINITY GLASS INT'L  
 PART OR ASSEMBLY: DOOR PANEL DETAILS

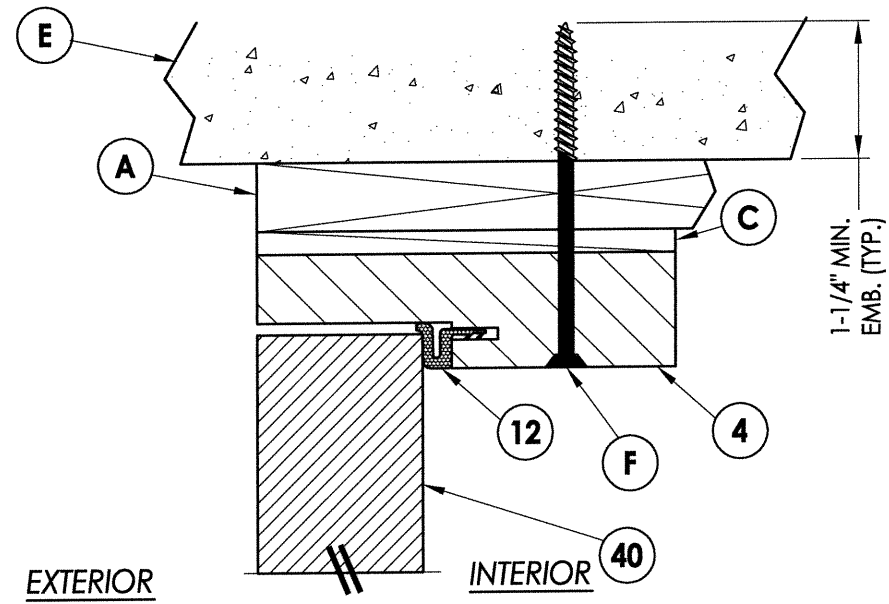
NO.	DATE	REVISIONS
1	03/02/15	UPDATE TO 5TH ED. (2014) FBC

DATE: 1/18/12  
 SCALE: N.T.S.  
 DWG. BY: JK  
 CHK. BY: LFS  
 DRAWING NO.: FL-15129.17  
 SHEET 2 OF 8

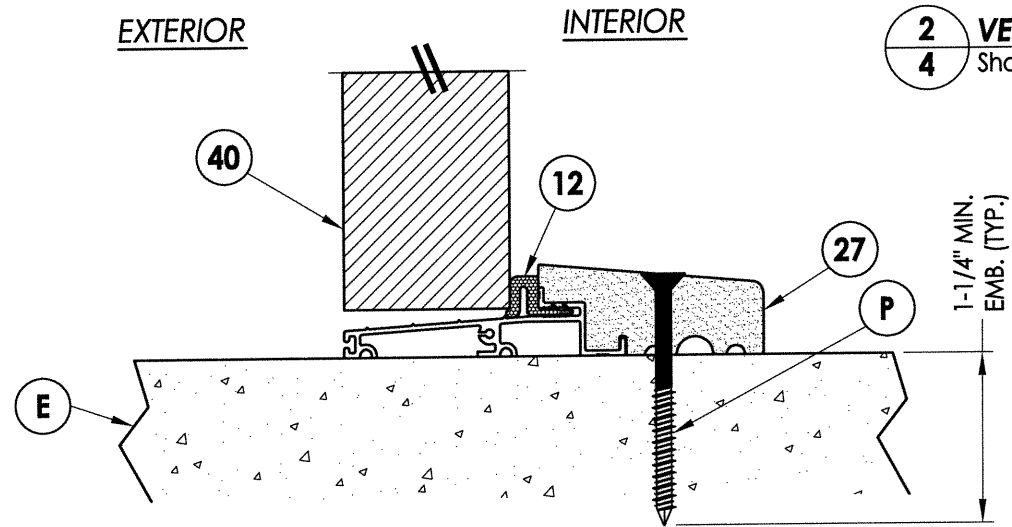




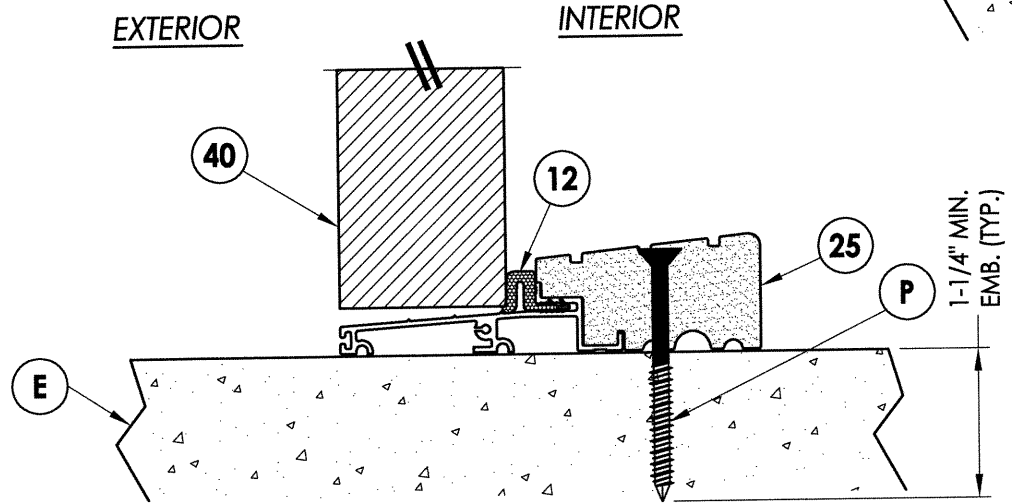
**1 VERTICAL CROSS SECTION**  
**4** Outswing shown  
 Inswing also approved



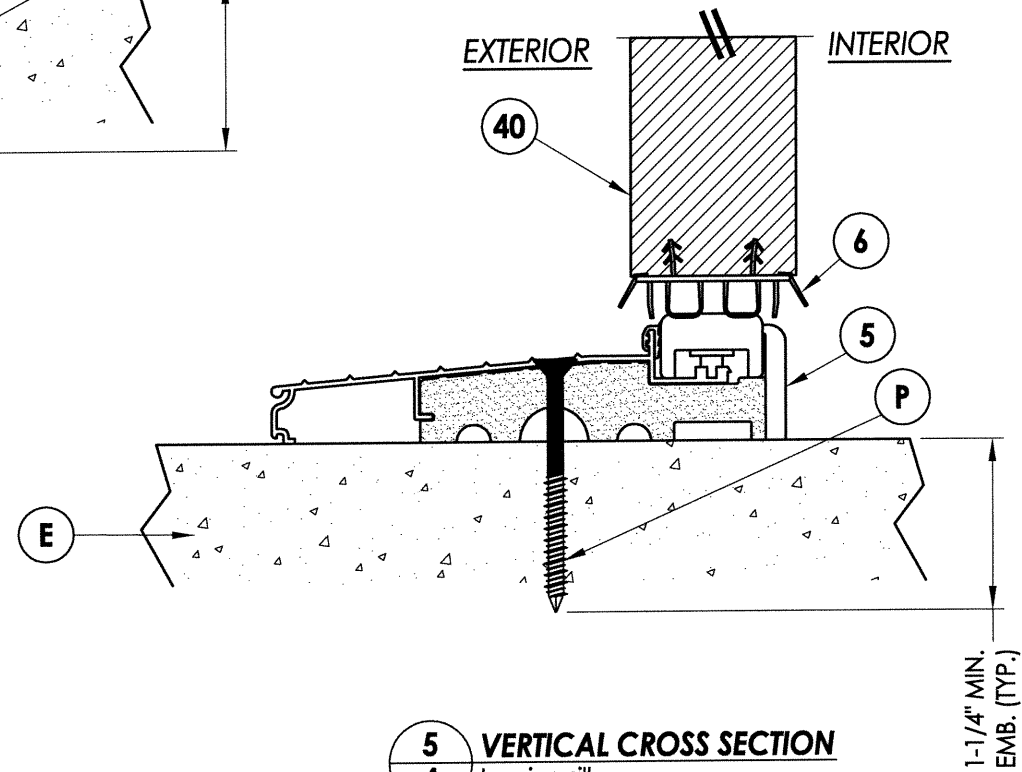
**2 VERTICAL CROSS SECTION**  
**4** Shown w/1X sub-buck



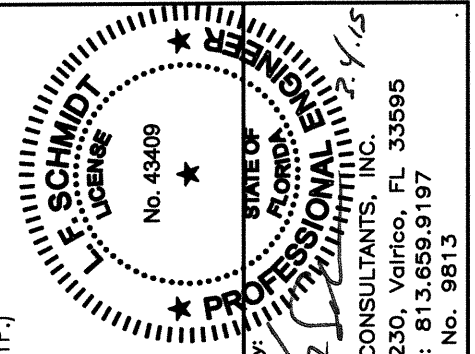
**4 VERTICAL CROSS SECTION**  
**4** Outswing sill



**3 VERTICAL CROSS SECTION**  
**4** Outswing sill - high dam



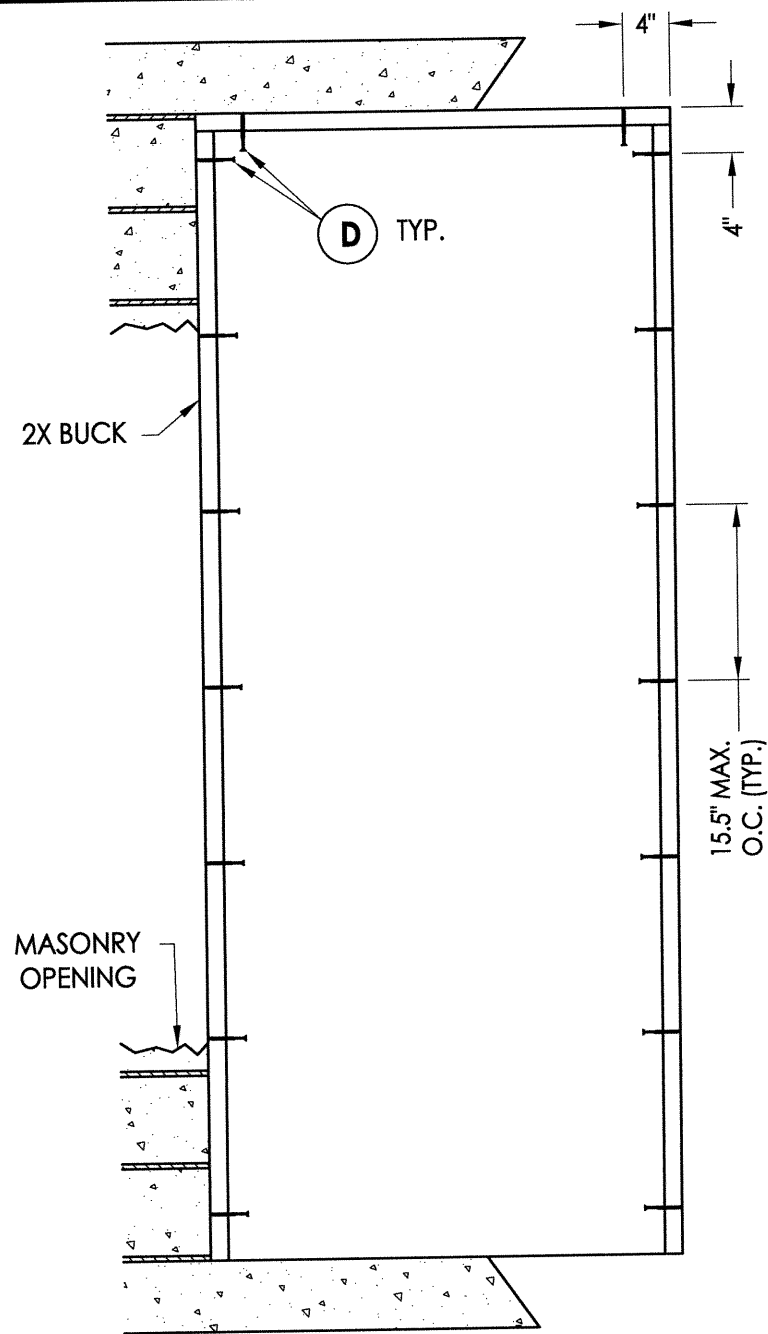
**5 VERTICAL CROSS SECTION**  
**4** Inswing sill



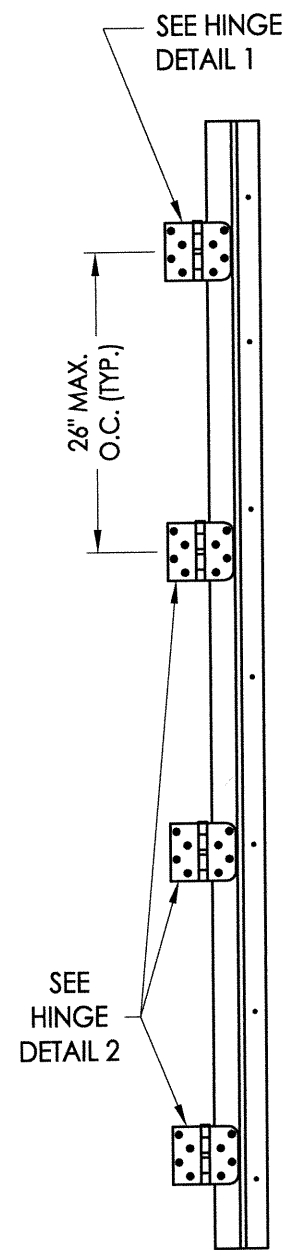
Documents Prepared By:  
 Lyndon F. Schmidt  
 P.E. No. 43409  
 R.W. BUILDING CONSULTANTS, INC.  
 P.O. Box 230, Valrico, FL 33595  
 Phone No.: 813.659.9197  
 FBPE C.A. No. 9813

PRODUCT:	TRINITY GLASS INT'L	
PART OR ASSEMBLY:	VERTICAL CROSS SECTIONS	
DATE:	1/18/12	
SCALE:	N.T.S.	
DWG. BY:	JK	
CHK. BY:	LFS	
DRAWING NO.:	FL-15129.17	
SHEET	4 OF 8	
NO.	DATE	REVISIONS
1	03/02/15	UPDATE TO 5TH ED. (2014) FBC
JK	BY	

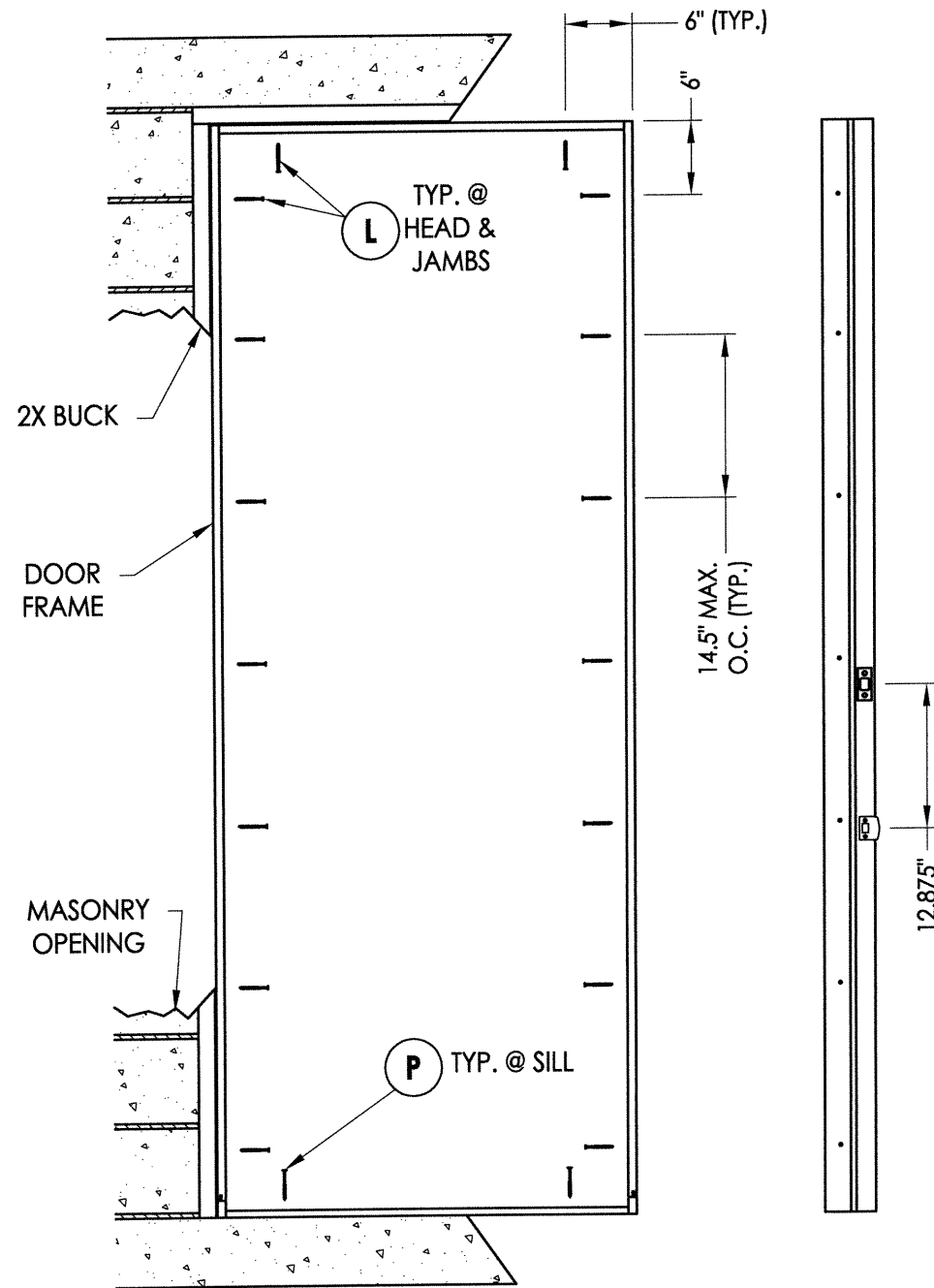




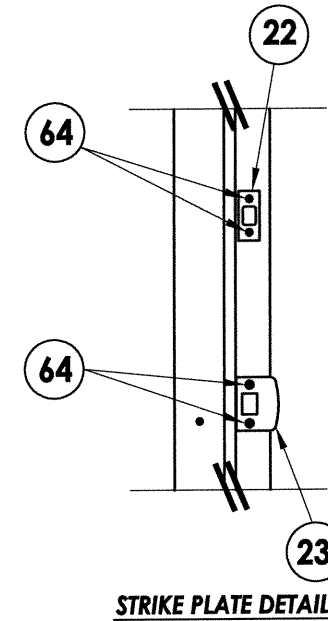
**BUCK ANCHORING**



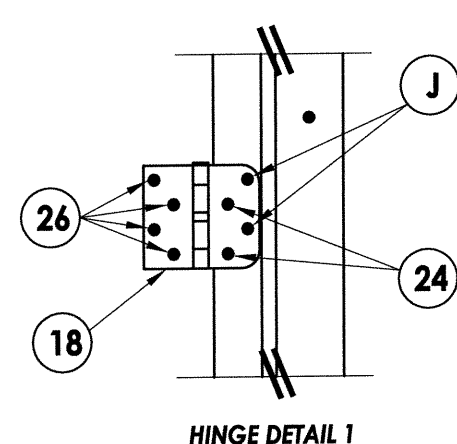
**HINGE JAMB**



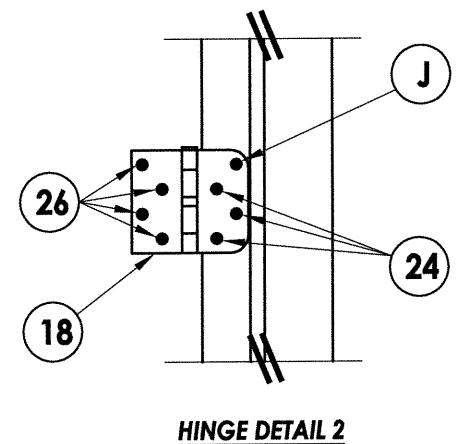
**FRAME ANCHORING**  
Masonry 2x buck construction



**STRIKE PLATE DETAIL**



**HINGE DETAIL 1**



**HINGE DETAIL 2**

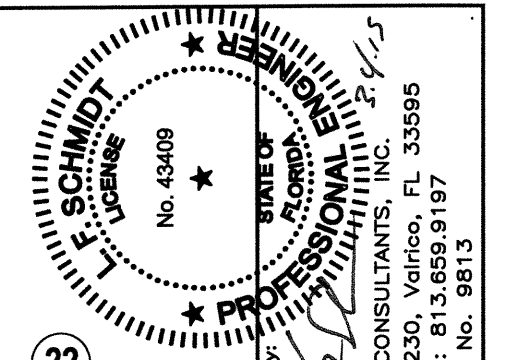
**CONCRETE ANCHOR NOTES:**

1. Concrete anchor locations at the corners may be adjusted to maintain the min. edge distance to mortar joints.
2. Concrete anchor locations noted as "MAX. ON CENTER" must be adjusted to maintain the min. edge distance to mortar joints, additional concrete anchors may be required to ensure the "MAX. ON CENTER" dimension are not exceeded.
3. Concrete anchor table:

ANCHOR TYPE	ANCHOR SIZE	MIN. EMBEDMENT	MIN. CLEARANCE TO MASONRY EDGE	MIN. CLEARANCE TO ADJACENT ANCHOR
ITW BUILDEX TAPCON®	1/4"	1-1/4"	2"	4"
ELCO ULTRACON®	1/4"	1-1/4"	1"	4"

**WOOD SCREW INSTALLATION NOTES:**

1. Maintain a minimum 5/8" edge distance, 1" end distance, & 1" o.c. spacing of wood screws to prevent the splitting of wood.



Documents Prepared By:  
Lyndon F. Schmidt  
P.E. No. 43409

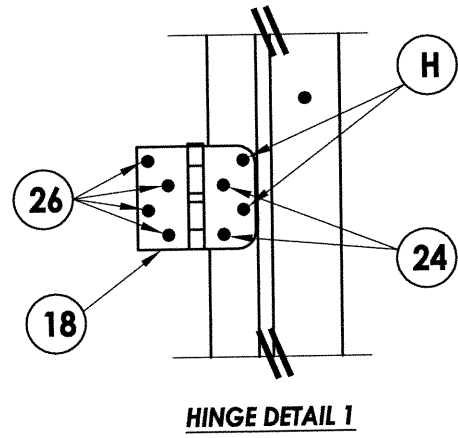
**RW**  
BUILDING CONSULTANTS, INC.  
P.O. Box 230, Valrico, FL 33595  
Phone No.: 813.659.9197  
FBPE C.A. No. 9813

PRODUCT: TRINITY GLASS INT'L

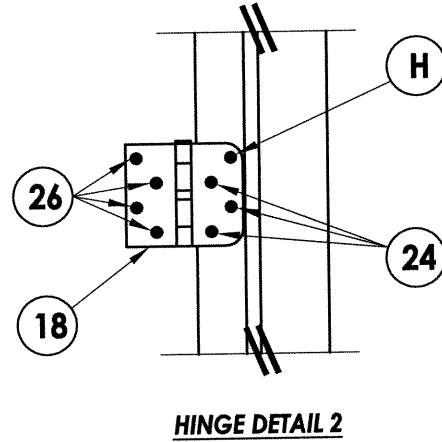
PART OR ASSEMBLY:  
BUCK AND FRAME ANCHORING  
2X BUCK MASONRY CONSTRUCTION

NO.	DATE	REVISIONS
1	03/02/15	UPDATE TO 5TH ED. (2014) FBC

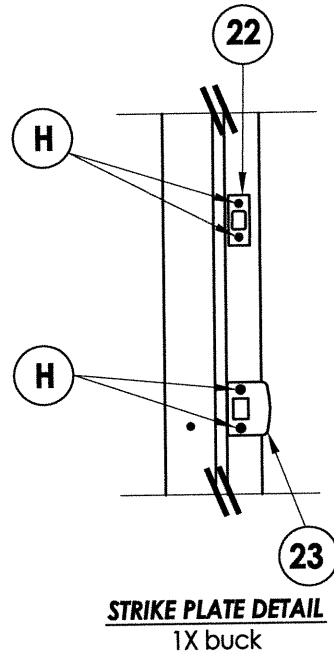
DATE: 1/18/12  
SCALE: N.T.S.  
DWG. BY: JK  
CHK. BY: LFS  
DRAWING NO.: FL-15129.17  
SHEET 5 OF 8



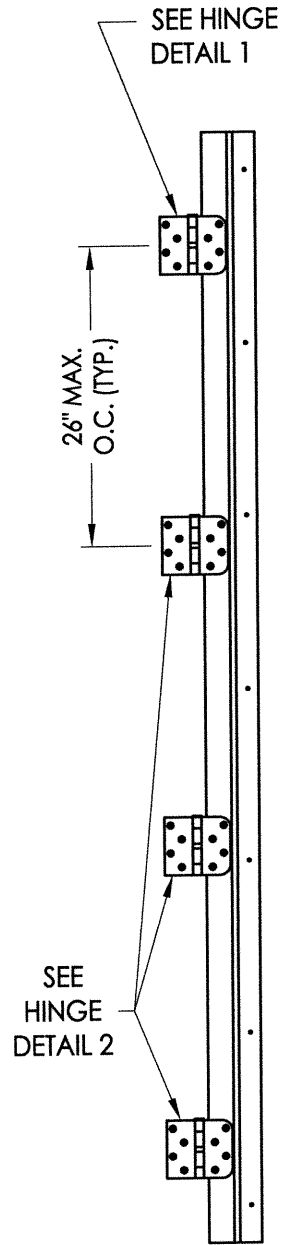
HINGE DETAIL 1



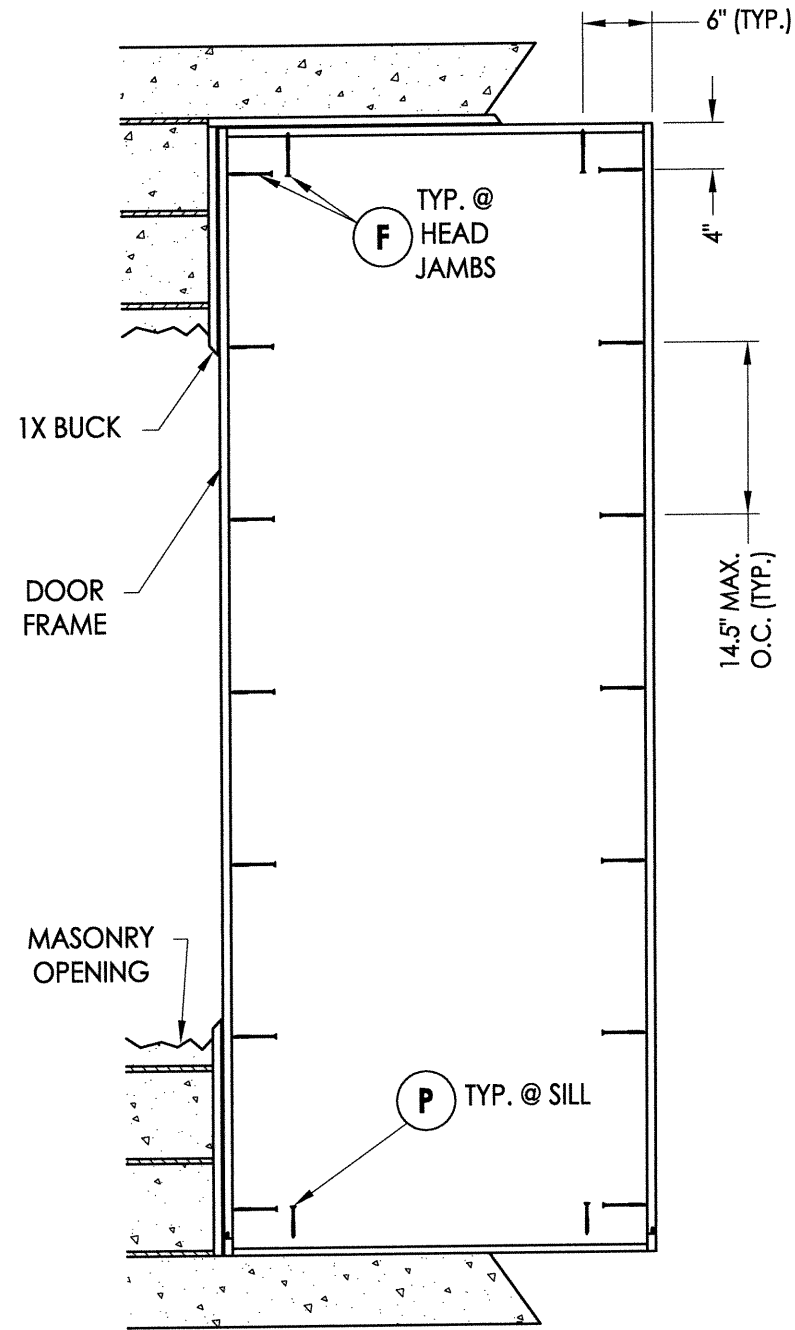
HINGE DETAIL 2



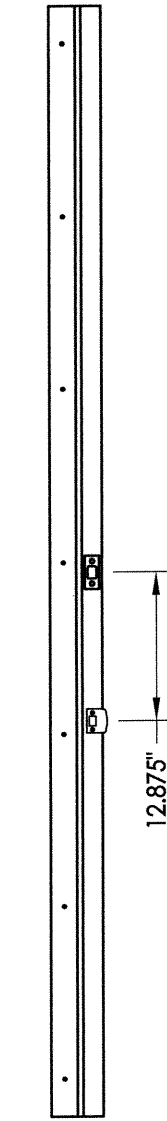
STRIKE PLATE DETAIL  
1X buck



HINGE JAMB



FRAME ANCHORING  
Masonry 1X buck construction



STRIKE JAMB

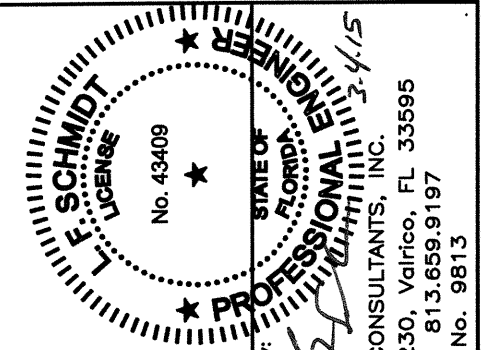
**CONCRETE ANCHOR NOTES:**

1. Concrete anchor locations at the corners may be adjusted to maintain the min. edge distance to mortar joints.
2. Concrete anchor locations noted as "MAX. ON CENTER" must be adjusted to maintain the min. edge distance to mortar joints, additional concrete anchors may be required to ensure the "MAX. ON CENTER" dimension are not exceeded.
3. Concrete anchor table:

ANCHOR TYPE	ANCHOR SIZE	MIN. EMBEDMENT	MIN. CLEARANCE TO MASONRY EDGE	MIN. CLEARANCE TO ADJACENT ANCHOR
ITW BUILDEX TAPCON®	3/16"	1-1/4"	3"	1-1/2"
	1/4"	1-1/4"	2"	4"
ELCO ULTRACON®	1/4"	1-1/4"	1"	4"

**WOOD SCREW INSTALLATION NOTES:**

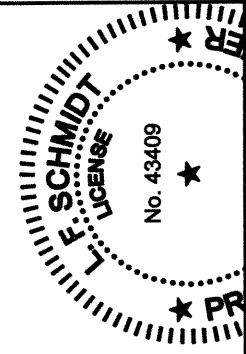
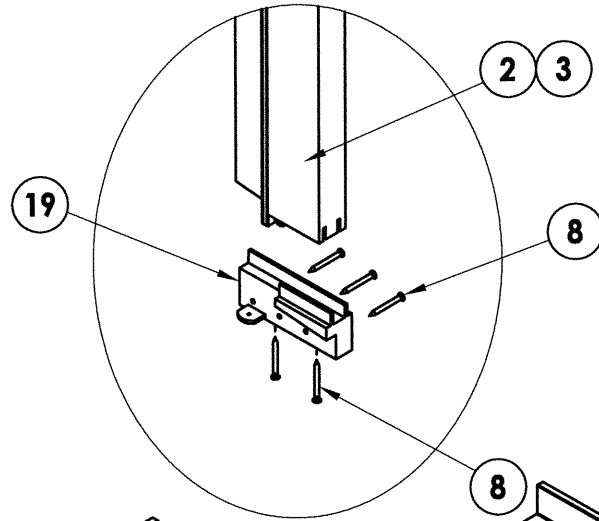
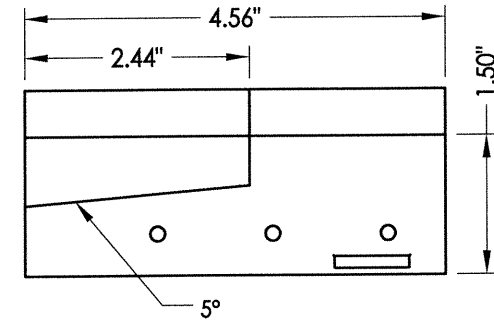
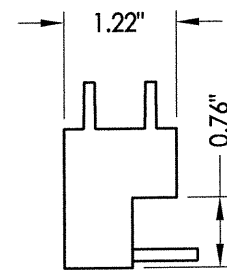
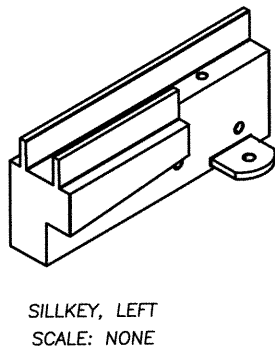
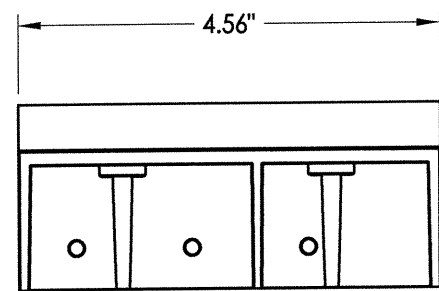
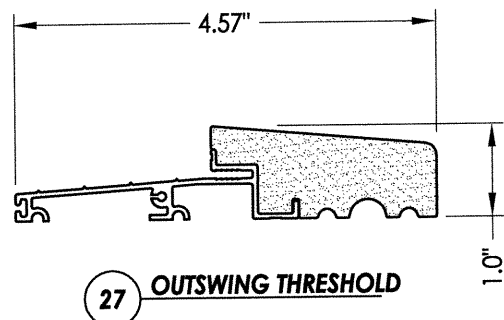
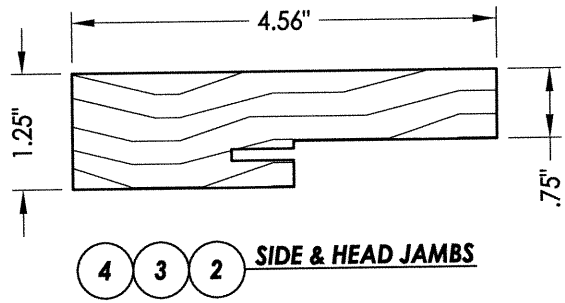
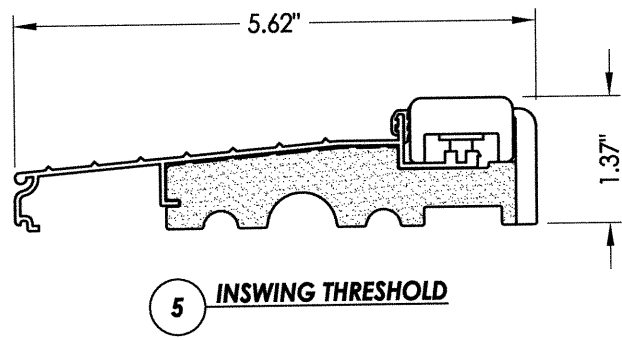
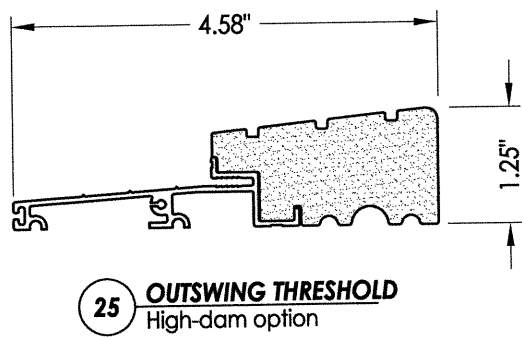
1. Maintain a minimum 5/8" edge distance, 1" end distance, & 1" o.c. spacing of wood screws to prevent the splitting of wood.



Documents Prepared By:  
Lyndon F. Schmidt  
P.E. No. 43409  
R.W. BUILDING CONSULTANTS, INC.  
P.O. Box 230, Valrico, FL 33595  
Phone No.: 813.659.9197  
FBPE C.A. No. 9813

PRODUCT:	TRINITY GLASS INT'L	
PART OR ASSEMBLY:	FRAME ANCHORING 1X BUCK MASONRY CONSTRUCTION	
NO.	DATE	BY
1	03/02/15	JK
UPDATE TO 5TH ED. (2014) FBC		
REVISIONS		
DATE:	1/18/12	
SCALE:	N.T.S.	
DWG. BY:	JK	
CHK. BY:	LFS	
DRAWING NO.:	FL-15129.17	
SHEET	6	OF 8

R:\Clients\Trinity PERMANENT\Florida Product Approvals\FL-15129\Drawings\Current\FL-15129.13-20.dwg, 7.17

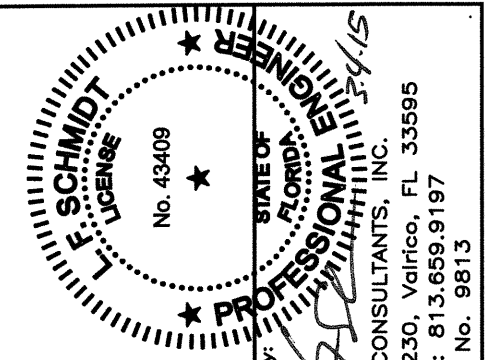


Documents Prepared By:  
Lyndon F. Schmidt  
P.E. No. 43409

**RW**  
BUILDING CONSULTANTS, INC.  
P.O. Box 230, Valrico, FL 33595  
Phone No.: 813.659.9197  
FBPE C.A. No. 9813

PRODUCT: TRINITY GLASS INT'L	
PART OR ASSEMBLY: COMPONENTS	
NO.	DATE
1	03/02/15
UPDATE TO 5TH ED. (2014) FBC	
JK	BY
REVISIONS	
DATE: 1/18/12	
SCALE: N.T.S.	
DWG. BY: JK	
CHK. BY: LFS	
DRAWING NO.: FL-15129.17	
SHEET 7 OF 8	

BILL OF MATERIALS		
ITEM #	DESCRIPTION	MATERIAL
A	1X BUCK SG >= 0.55	WOOD
B	2X BUCK SG >= 0.55	WOOD
C	1/4" MAX. SHIM SPACE	-
D	1/4" X 2-3/4" PFH ELCO OR ITW CONCRETE SCREW	STEEL
E	MASONRY - 3,000 PSI MIN. CONCRETE CONFORMING TO ACI 301 OR HOLLOW BLOCK CONFORMING TO ASTM C90	CONCRETE
F	1/4" X 3-3/4" ITW PFH CONCRETE SCREW	STEEL
H	3/16" X 3-1/4" ITW PFH CONCRETE SCREW	STEEL
J	#9 X 2-1/4" PFH WS	STEEL
L	#8 X 2-1/2" PFH WS	STEEL
P	1/4" X 2-3/4" ITW PFH CONCRETE SCREW	STEEL
2	STRIKE JAMB - FINGER-JOINT PINE - SG >= 0.42	WOOD
3	HINGE JAMB - FINGER-JOINT PINE - SG >= 0.42	WOOD
4	HEAD - FINGER-JOINT PINE - SG >= 0.42	WOOD
5	INSWING THRESHOLD ALUMINUM W/ COMPOSITE SUBSTRATE	ALUMINUM
6	DOOR BOTTOM SWEEP	PVC
8	#6 X 1-1/4 PFH DRYWALL SCREW	STEEL
12	WEATHER STRIP QEBD650 Q-LON	-
18	3.983" X 4.0" HINGE MIN 0.098" THICK	STEEL
19	SILLKEY	PC/ASA
22	DEADBOLT STRIKE PLATE	STEEL
23	LATCH STRIKE PLATE	STEEL
24	#9 X 5/8" PFH WS	STEEL
25	OUTSWING HIGH-DAM THRESHOLD ALUMINUM W/ COMPOSITE SUBSTRATE	ALUM./ COMP.
26	#9 X 1.0" PFH WS	STEEL
27	OUTSWING THRESHOLD ALUMINUM W/ COMPOSITE SUBSTRATE	ALUM./ COMP.
40	DOOR PANEL - SEE DOOR PANEL DETAIL SHEET FOR CONSTRUCTION DETAILS	-
64	#8 X 2" PFH WOOD SCREW	STEEL



Documents Prepared By:  
 Lyndon F. Schmidt  
 P.E. No. 43409  
 3/4/15  
 R.W.  
 BUILDING CONSULTANTS, INC.  
 P.O. Box 230, Vairico, FL 33595  
 Phone No.: 813.659.9197  
 FBPE C.A. No. 9813

PRODUCT:		TRINITY GLASS INT'L	
PART OR ASSEMBLY:		BILL OF MATERIALS	
NO.	DATE	JK	BY
1	03/02/15	UPDATE TO 5TH ED. (2014)	FBC
REVISIONS			
DATE: 1/18/12			
SCALE: N.T.S.			
DWG. BY: JK			
CHK. BY: LFS			
DRAWING NO.: FL-15129.17			
SHEET 8 OF 8			